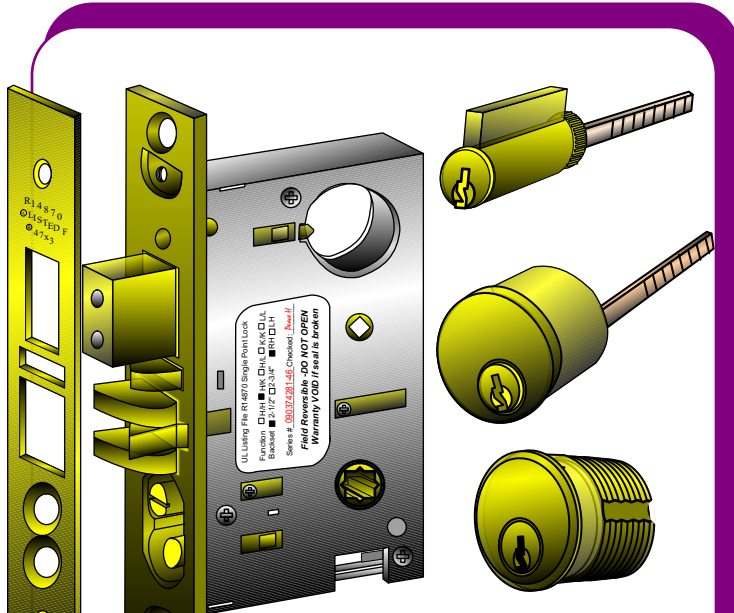


baton®

Security Products since 1973



**Catalogue
2024.14
Decorative
Door
Hardware**

Chapter N

Spindles & Accessories

- 7.3mm Spindles + Brackets**
- 8.0mm Spindles**
- Hub Sleeves**

**Baton Security Products
11521 Salinaz Drive,
Garden Grove,
CA 92843 USA**

**Tel: (714) 590 6969
Fax: (714) 590 6960**

**Tooling, manufacturing as well as purchasing stock
items are additional benefits of doing business with Baton.**

www.batonlockusa.com www.batonhardware.com

Email : Sales@batonlockusa.com

Terms and Freight Policy -

All prices are based on FOB our warehouse. Net 30 days can be arranged upon approval on open account others will be prepaid. Any past due account is subject to a financial charge at 1.5% on unpaid balance billed monthly. No further shipment will be honored until account is brought back to current. Service charges will apply to all the returned checks. Unless you specify otherwise, will use a carrier and route of our choice. Claim for loss or damage in transit should be made by you against the carrier. All goods are shipped at the customers risk; our responsibility ceases upon delivery in good order to the carrier.

Receipt and Return Goods Policy -

All goods are shipped and invoiced FOB our warehouse plus the freight costs. Unless you specify otherwise, we will use a common carrier and route of our choice. Special arrangement may be available and subject to our final confirmation. To protect your interest, it is suggested that to file the damage report with the carrier upon reception of damaged or open shipment.

Any discrepancy regarding the shipment must be claimed within 5 days after merchandise received. A RGA number must be obtained from our CSR prior to the merchandise returned. The RGA number is valid for 2 weeks from the date issued. All returns must be in original packaging and saleable condition. A 25% restocking charge and freight will apply to all goods returned within 60 days from date of invoice. A 35% restocking charge and freight will apply to all goods returned after 60 days from date of invoice. No merchandise held over 120 days from the date of invoice will be accepted for return. No returns will be accepted on special ordered, custom made or non-stock item, other than factory defect.

Orders and Cancellations -

Order and/or cancellations will not be processed without written confirmation from customer. Any order shipped before written request of cancellation or change is received will incur handling charges as stated above. Special orders and custom made items are not cancelable after a period of 3 days from date of order. Partial orders shall be accepted by the customer and paid for at the contract prices and terms. Order received by Baton constitute acceptance of terms outlined in this document. Baton is not responsible for any loss or damage due to delays or extended delivery dates of goods.

Limited Warranty -

Baton warrants that its products will be free from defects in materials and workmanship (excluding oxidation or discoloration) for a period of one year from the date of sales to the user. Our only obligation will be to replace the defective product or parts upon inspection, together with proof of purchase from one of our agents dated within the warranty period. **We assume no liability for any labor charges regarding the removal or reinstallation of the products; nor will we cover any freight, postage, traveling or handling expense relative to the product. Damage caused by accident, misuse, abuse or improper installation are not covered by this warranty. Except as expressly stated herein, there is no warranty, whether expressed or implied, provided by Baton. No other person has authority to assume any obligation or liability in addition to this warranty.**

Validity and Special Note -

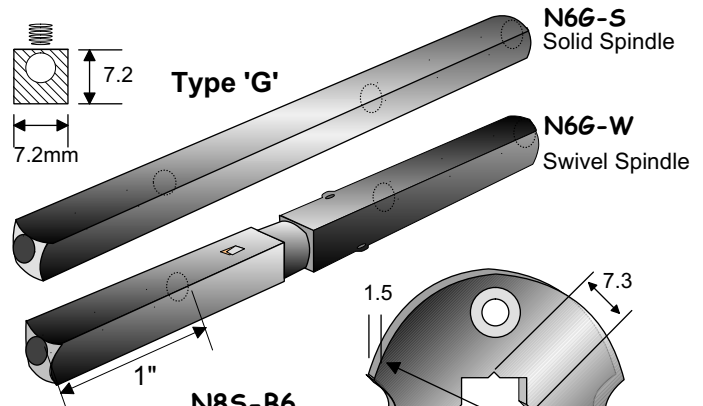
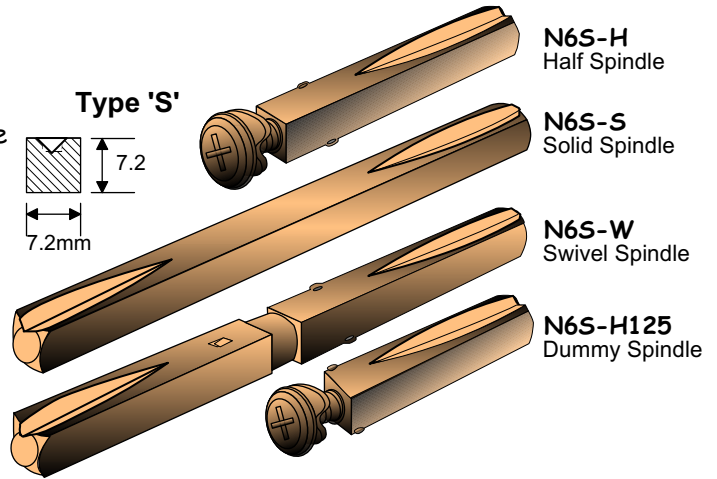
This catalogue with Price List enclosed is good for six (6) months from the date issued and supersedes all previous catalogues and Price Lists. Baton is not responsible for any typographic errors or errors in indication.

Series 'N6S'/'N6G' Spindles, Spindle Bracket and Dummy Units

Spindles

Baton's series 'N6S' and 'N6G' Spindles are made of wrought steel for 7.3mm hub. Available with the following models:

- Half Spindle -
for Grip Handle on one side with interior Knob/Lever trim (HL or HK).
- Solid Spindle -
one piece construction, for Passage.
- Swivel Spindle -
for Privacy and Entrance.



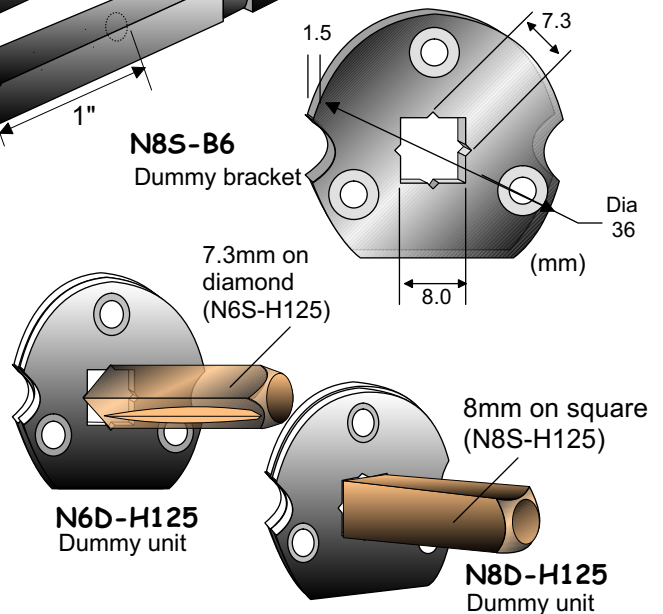
Stock No.		Description
Type S	Type G	
N6S-H125	-----	Dummy Spindle 1.25"
N6S-H275	-----	Half Spindle 2.75"
-----	N6G-S400	Solid Spindle 4"
N6S-S450	N6G-S450	Solid Spindle 4.5"
N6S-S500	-----	Solid Spindle 5"
N6S-W400	N6G-W400	Swivel Spindle 4"
N6S-W450	N6G-W450	Swivel Spindle 4.5"
N6S-W500	-----	Swivel Spindle 5"

X01

Dummy Bracket

Dummy bracket is made of Stainless steel, formed with 7.3mm on diamond plus 8mm on square broaching, can be accommodated with both 7.3mm or 8.0mm spindles:

- a) Half Spindle for single side dummy trim
- b) Solid Spindle for double side dummy trim
- c) Swivel Spindle for one side dummy other side active

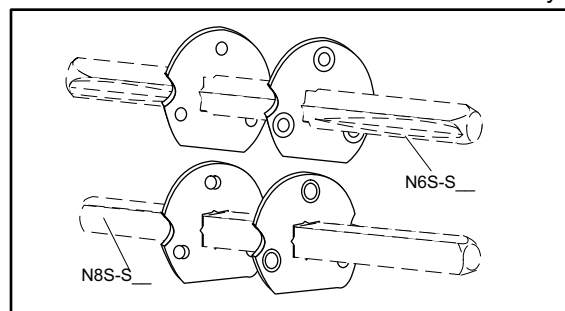


Dummy Units

To fix with N6S-H125 on diamond or N8S-H125 on double thick dummy bracket as Dummy unit.

Furnished with 3/4" wood screws x 3

Stock No.	Description
N8S-B6	Spindle Bracket, for 7.3 & 8mm Spindles
N6D-H125	Dummy Unit w/ 7.3 mm x 1.25" spindle
N8D-H125	Dummy Unit w/ 8mm x 1.25" spindle

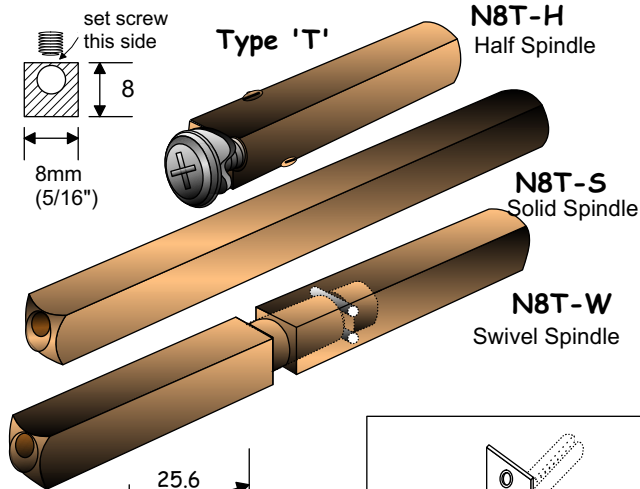
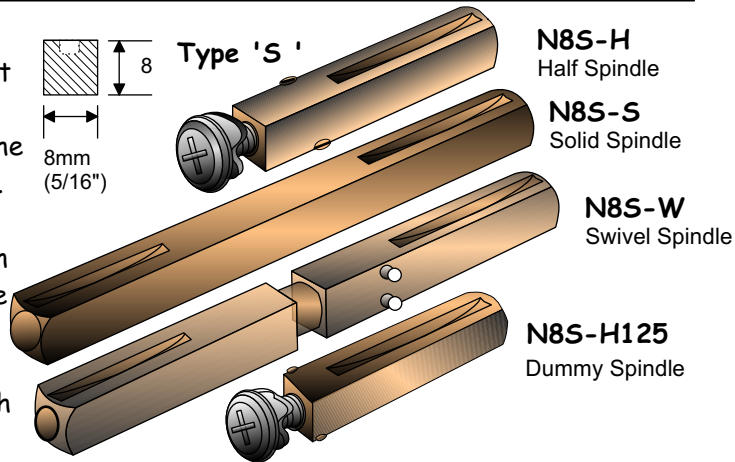


Series 'N8' Spindle, Dummy Bracket Hub Sleeve - 8mm

Spindles

Baton's series 'N' Spindles are made of wrought steel for 8mm hub. Two styles are available: 'NS' Spindles feature groove cut, facilitating the set screw of Knob/Lever mount without slipping. 'NT' Spindles feature a 7/16" off-center hole drilled to allow the pointed set screw to stick on to the spindle. Both styles are available with the following models:

- Dummy Spindle
- Half Spindle - for Grip Handle on one side with interior Knob/Lever trim (HL or HK).
- Solid Spindle - one piece construction, for Passage.
- Swivel Spindle - for Privacy and Entrance.



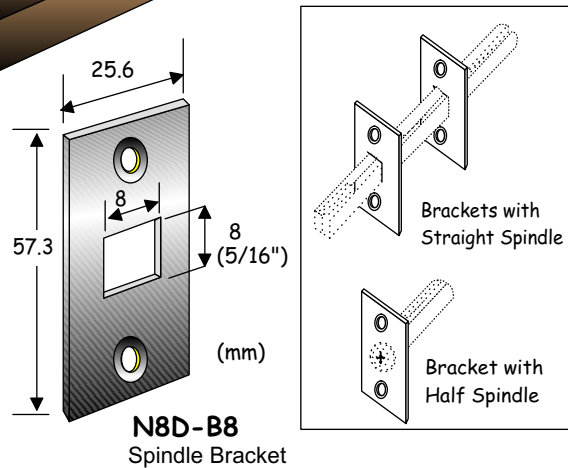
Stock No.		Description
Type S	Type T	
N8S-H 125	-----	Dummy Spindle 1.25"
N8S-H 275	-----	Half Spindle 2.5"
-----	N8T-H 350	Half Spindle 3.5"
N8S-S 400	N8T-S 400	Solid Spindle 4"
-----	N8T-S 437	Solid Spindle 4.375"
N8S-S 450	-----	Solid Spindle 4.5"
N8S-S 500	N8T-S 500	Solid Spindle 5"
-----	N8T-S 700	Solid Spindle 7"
N8S-W 400	N8T-W 400	Swivel Spindle 4"
-----	N8T-W 437	Swivel Spindle 4.375"
N8S-W 450	N8T-W 450	Swivel Spindle 4.5"
NS8-W 500	N8T-W 500	Swivel Spindle 5"
-----	N8T-W 700	Swivel Spindle 7"

X02

Spindle Bracket- for Dummy trim

Stainless steel, can be accommodated with

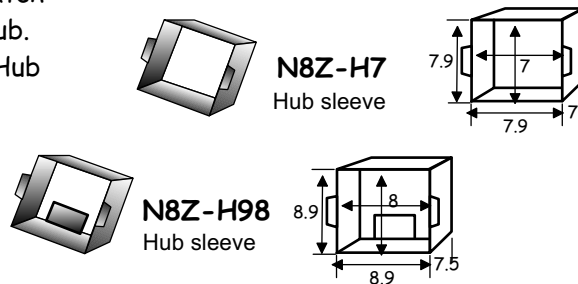
- Half Spindle for single side dummy trim mount,
- Straight Spindle for double side dummy trim mount, or c) Swivel Spindle for one side dummy and other side active.



Hub Sleeve 7x7mm

- for converting a mortise lock case or Tubular Latch to take a 7x7mm spindle from a regular 8mm Hub.
- For the split hub application, simply insert the Hub Sleeve from each side of the Hubs.

Stock No.	Description
N8D-B8	Spindle Bracket, w/2 screws
N8Z-H7	Hub Sleeve 8mm hub to 7mm spindle
N8Z-H98	Hub Sleeve 9mm hub for 8mm spindle



Measurement Chart - Inch vs. MM

Inch		MM
1/16"	0.0625"	1.5875
1/8"	0.1250"	3.1750
3/16"	0.1875"	4.7625
1/4"	0.2500"	6.3500
5/16"	0.3125"	7.9375
3/8"	0.3750"	9.5250
7/16"	0.4375"	11.1125
1/2"	0.5000"	12.7000
9/16"	0.5625"	14.2875
5/8"	0.6250"	15.8750
11/16"	0.6875"	17.4625
3/4"	0.7500"	19.0500
13/16"	0.8125"	20.6375
7/8"	0.8750"	22.2250
15/16"	0.9375"	23.8125
1"	1.0000"	25.4000

Inch		MM
1-1/16"	1.0625"	26.9875
1-1/8"	1.1250"	28.5750
1-3/16"	1.1875"	30.1625
1-1/4"	1.2500"	31.7500
1-5/16"	1.3125"	33.3375
1-3/8"	1.3750"	34.9250
1-7/16"	1.4375"	36.5125
1-1/2"	1.5000"	38.1000
1-9/16"	1.5625"	39.6875
1-5/8"	1.6250"	41.2750
1-11/16"	1.6875"	42.8625
1-3/4"	1.7500"	44.4500
1-13/16"	1.8125"	46.0375
1-7/8"	1.8750"	47.6250
1-15/16"	1.9375"	49.2125
2"	2.0000"	50.8000

Inch		MM
2-1/16"	2.0625"	52.3875
2-1/8"	2.1250"	53.9750
2-3/16"	2.1875"	55.5625
2-1/4"	2.2500"	57.1500
2-5/16"	2.3125"	58.7375
2-3/8"	2.3750"	60.3250
2-7/16"	2.4375"	61.9125
2-1/2"	2.5000"	63.5000
2-9/16"	2.5625"	65.0875
2-5/8"	2.6250"	66.6750
2-11/16"	2.6875"	68.2625
2-3/4"	2.7500"	69.8500
2-13/16"	2.8125"	71.4375
2-7/8"	2.8750"	73.0250
2-15/16"	2.9375"	74.6125
3"	3.0000"	76.2000

Inch		MM
3-1/16"	3.0625"	77.7875
3-1/8"	3.1250"	79.3750
3-3/16"	3.1875"	80.9625
3-1/4"	3.2500"	82.5500
3-5/16"	3.3125"	84.1375
3-3/8"	3.3750"	85.7250
3-7/16"	3.4375"	87.3125
3-1/2"	3.5000"	88.9000
3-9/16"	3.5625"	90.4875
3-5/8"	3.6250"	92.0750
3-11/16"	3.6875"	93.6625
3-3/4"	3.7500"	95.2500
3-13/16"	3.8125"	96.8375
3-7/8"	3.8750"	98.4250
3-15/16"	3.9375"	100.0125
4"	4.0000"	101.6000

Inch		MM
4-1/16"	4.0625"	103.1875
4-1/8"	4.1250"	104.7750
4-3/16"	4.1875"	106.3625
4-1/4"	4.2500"	107.9500
4-5/16"	4.3125"	109.5375
4-3/8"	4.3750"	111.1250
4-7/16"	4.4375"	112.7125
4-1/2"	4.5000"	114.3000
4-9/16"	4.5625"	115.8875
4-5/8"	4.6250"	117.4750
4-11/16"	4.6875"	119.0625
4-3/4"	4.7500"	120.6500
4-13/16"	4.8125"	122.2375
4-7/8"	4.8750"	123.8250
4-15/16"	4.9375"	125.4125
5"	5.0000"	127.0000

Inch		MM
5-1/16"	5.0625"	128.5875
5-1/8"	5.1250"	130.1750
5-3/16"	5.1875"	131.7625
5-1/4"	5.2500"	133.3500
5-5/16"	5.3125"	134.9375
5-3/8"	5.3750"	136.5250
5-7/16"	5.4375"	138.1125
5-1/2"	5.5000"	139.7000
5-9/16"	5.5625"	141.2875
5-5/8"	5.6250"	142.8750
5-11/16"	5.6875"	144.4625
5-3/4"	5.7500"	146.0500
5-13/16"	5.8125"	147.6375
5-7/8"	5.8750"	149.2250
5-15/16"	5.9375"	150.8125
6"	6.0000"	152.4000

X06



- The Lock Company